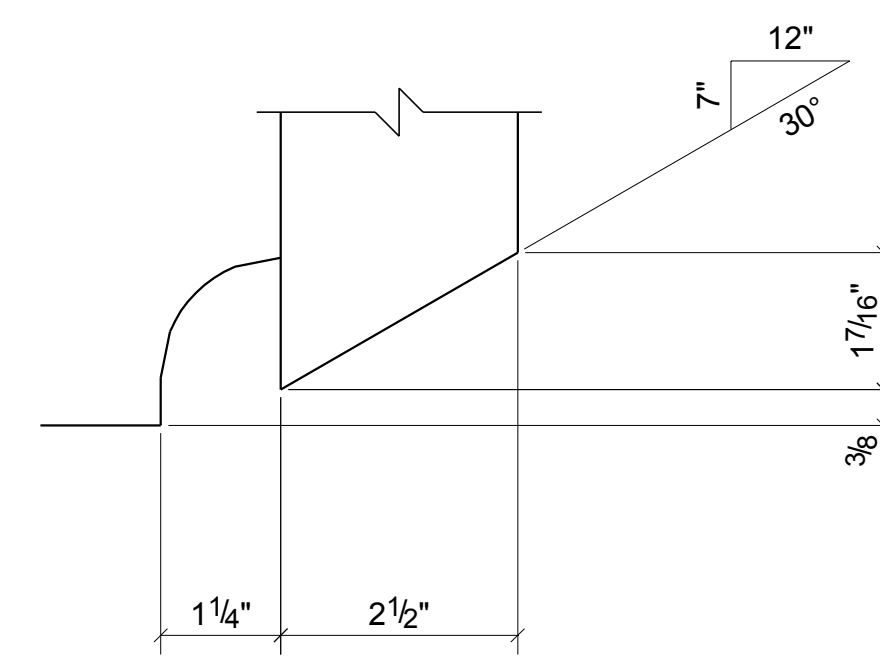
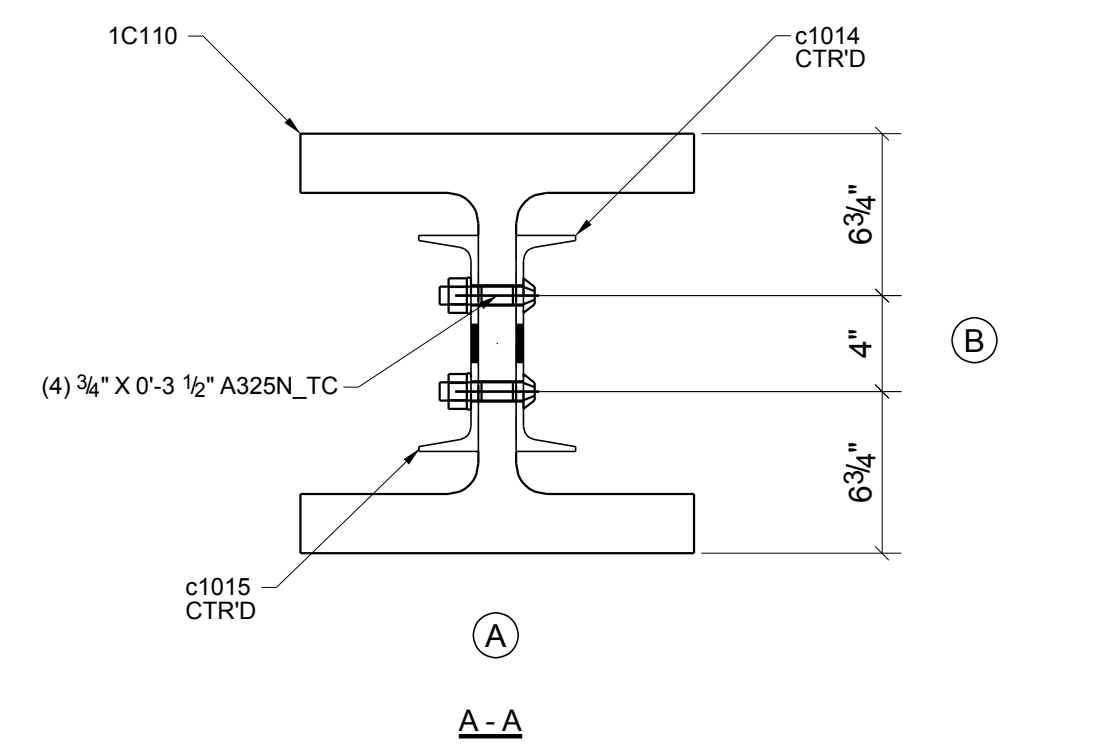
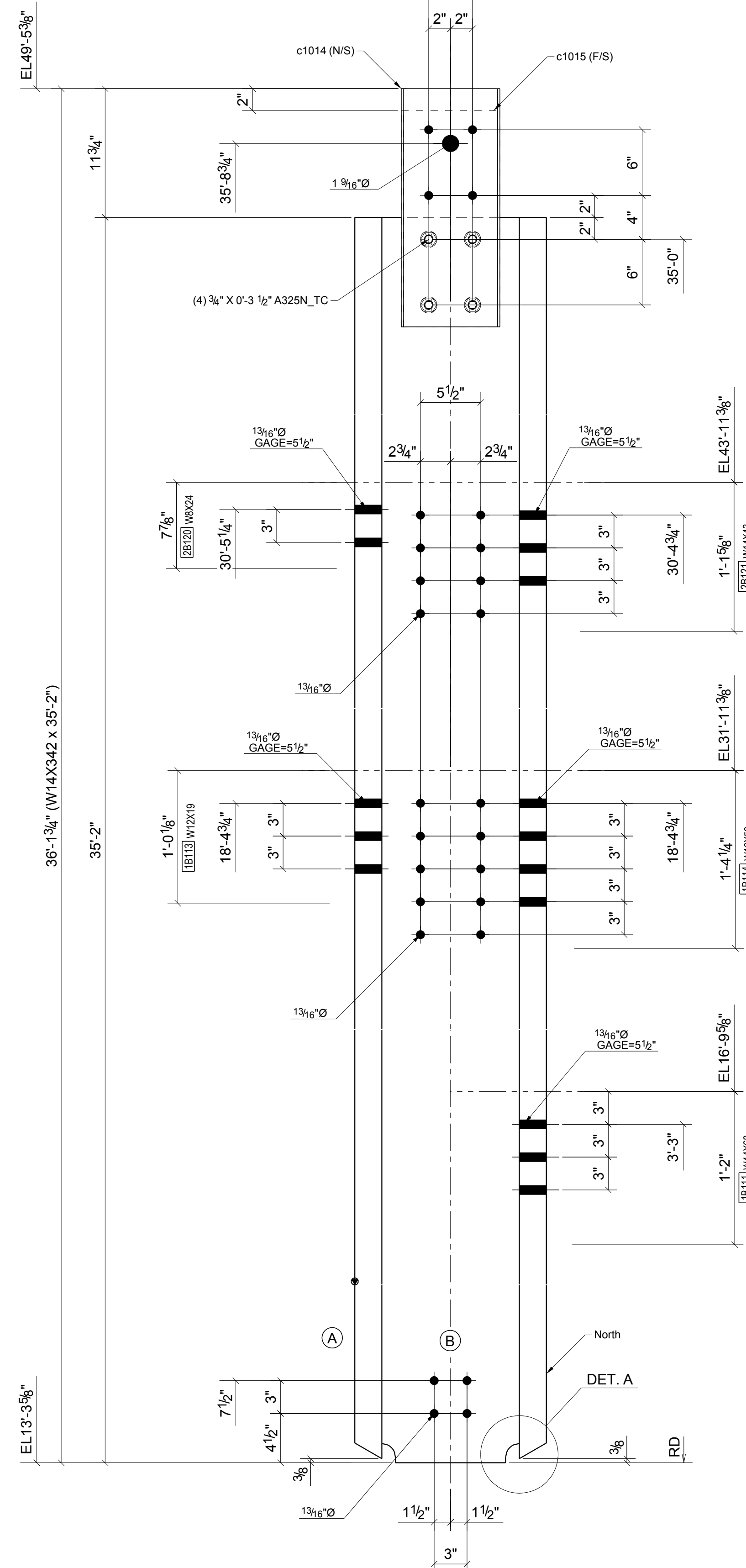
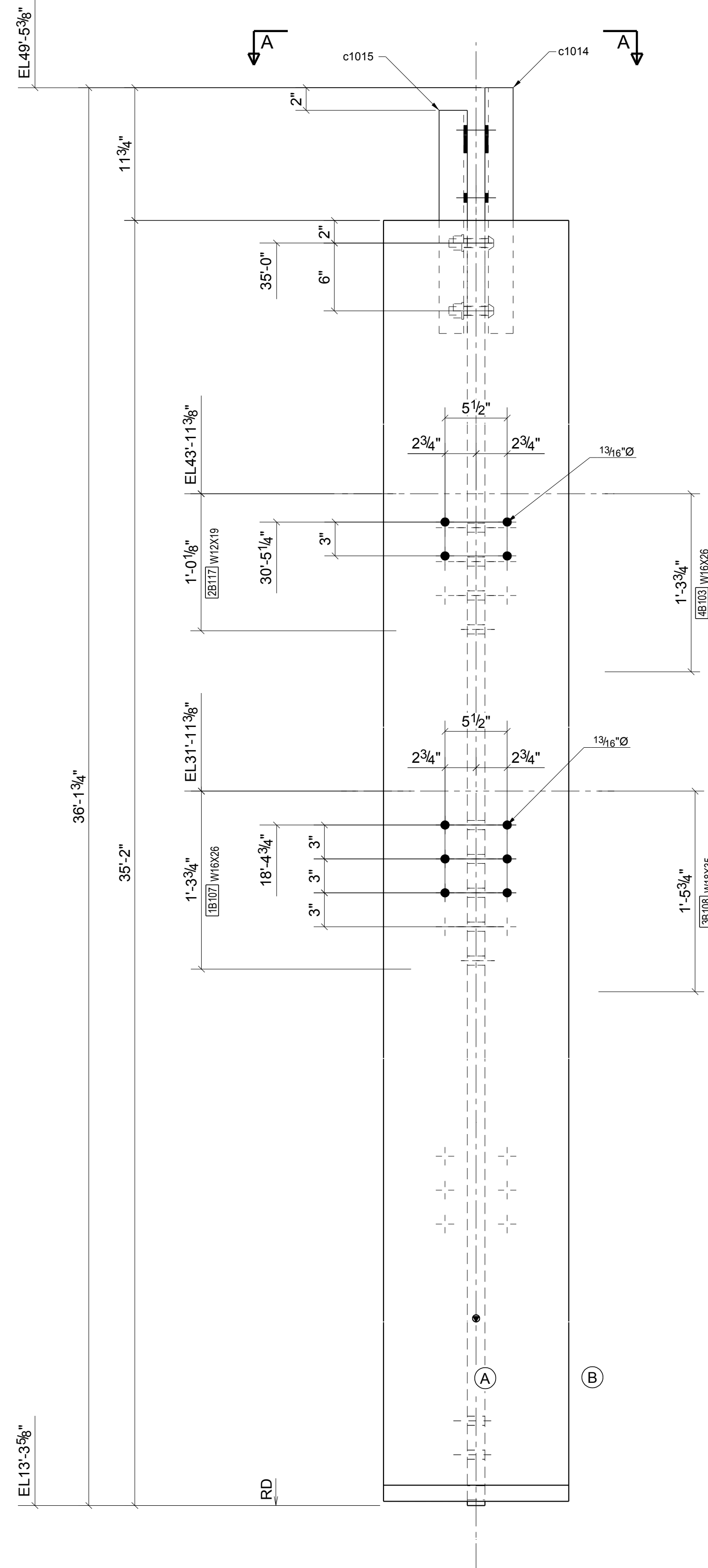


BILL OF MATERIAL

Qty Ea	Qty Tot	Piece Mark	Description	Length	Weight Total	Remarks	Adv Mill #	Steel Grade
	1	1C110	COLUMN					
1	1	W14X342		35'-2"	12088	502 NO PAINT	C53	A992
1	1	c1014	C9X15	1'-9 3/4"	27	NO PAINT	c1014	A36
1	1	c1015	C8X15	1'-7 3/4"	25	NO PAINT	c1015	A36
4	4		3/4" A325N_TC BOLT	0'-3 1/2"	3	Workshop		
4	4		3/4" A325N_TC BOLT	0'-4"		Site		
4	4		3/4" A325N_TC BOLT	0'-3 1/2"		Site		

DERRICK
1



DETAIL A

NO PAINT
ONE - COLUMN - 1C110

REF DWGS: MP101 MP102 TEKLA STRUCTURES

DWG. ISSUE			REVISIONS	
DATE	PURPOSE	NO.	DATE	DESCRIPTION
03/28/2016	FOR APP	A		

Per AISC Steel Construction Manual 13th Edition 16.3.3 Commentary:
While it is the Fabricator's responsibility to report any discrepancies that are discovered in the Contract Documents, it is not the Fabricator's responsibility to discover discrepancies, including those that are associated with the coordination of the various design disciplines. The quality of the Contract Documents is the responsibility of the entities that produce those documents.

