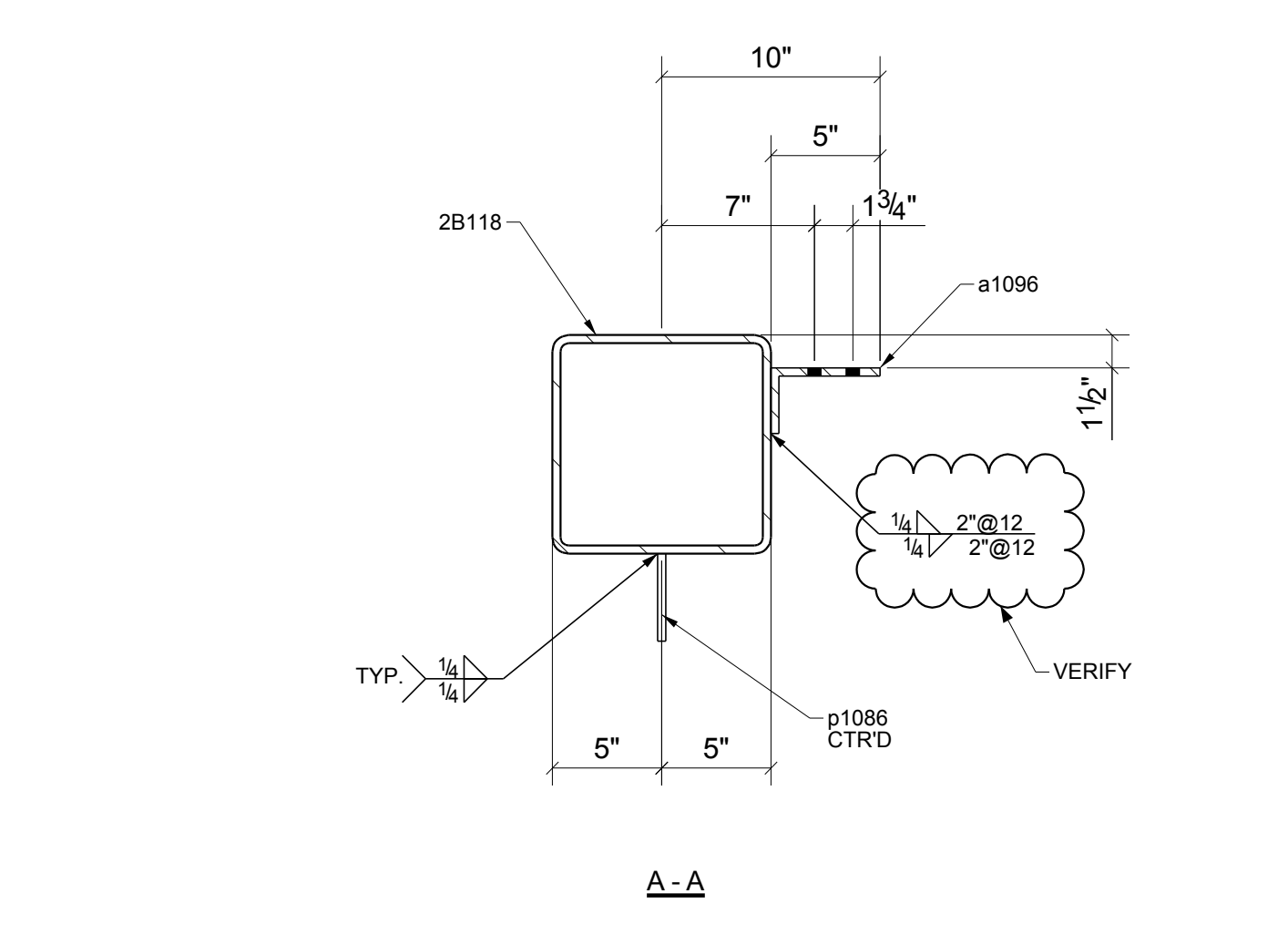
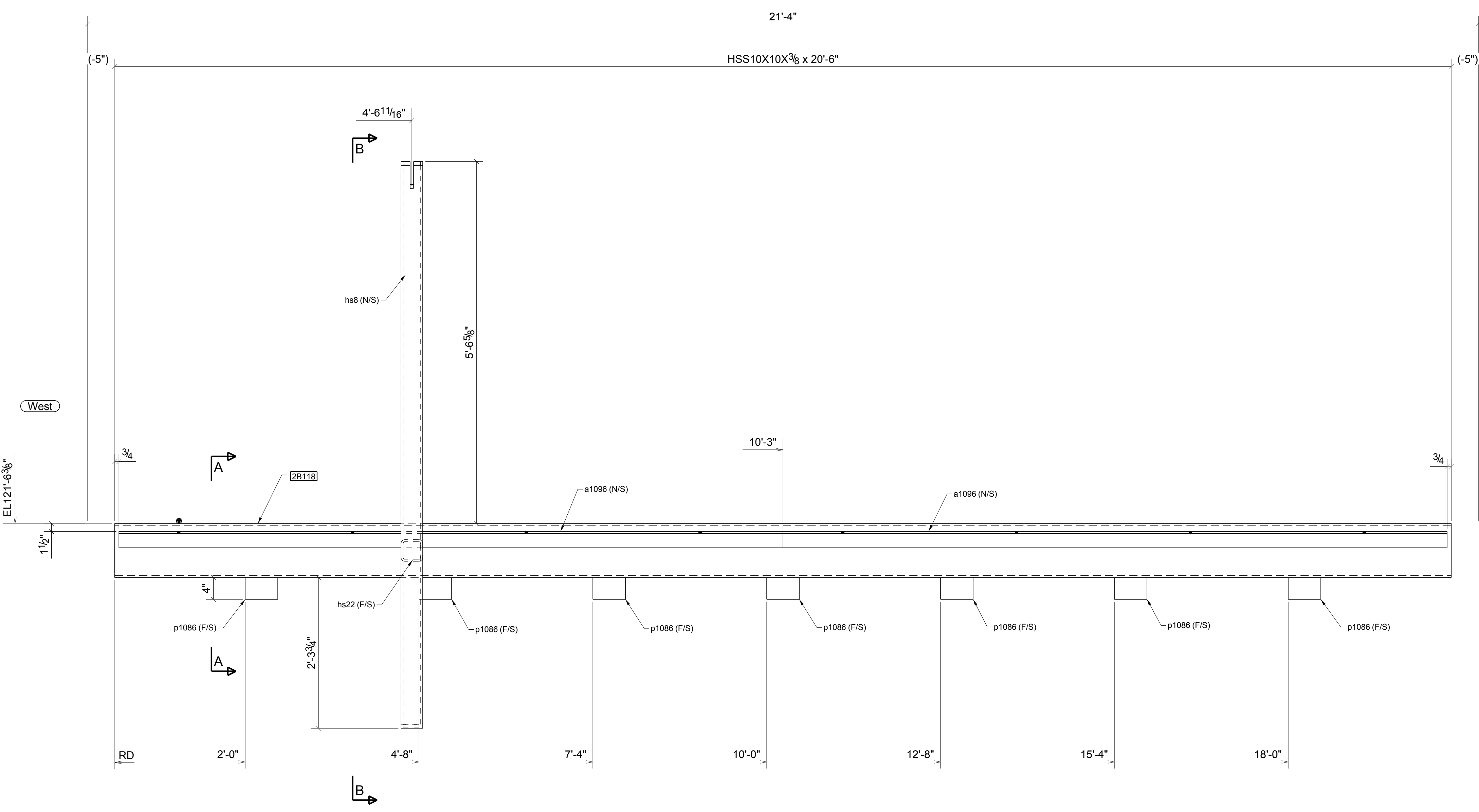
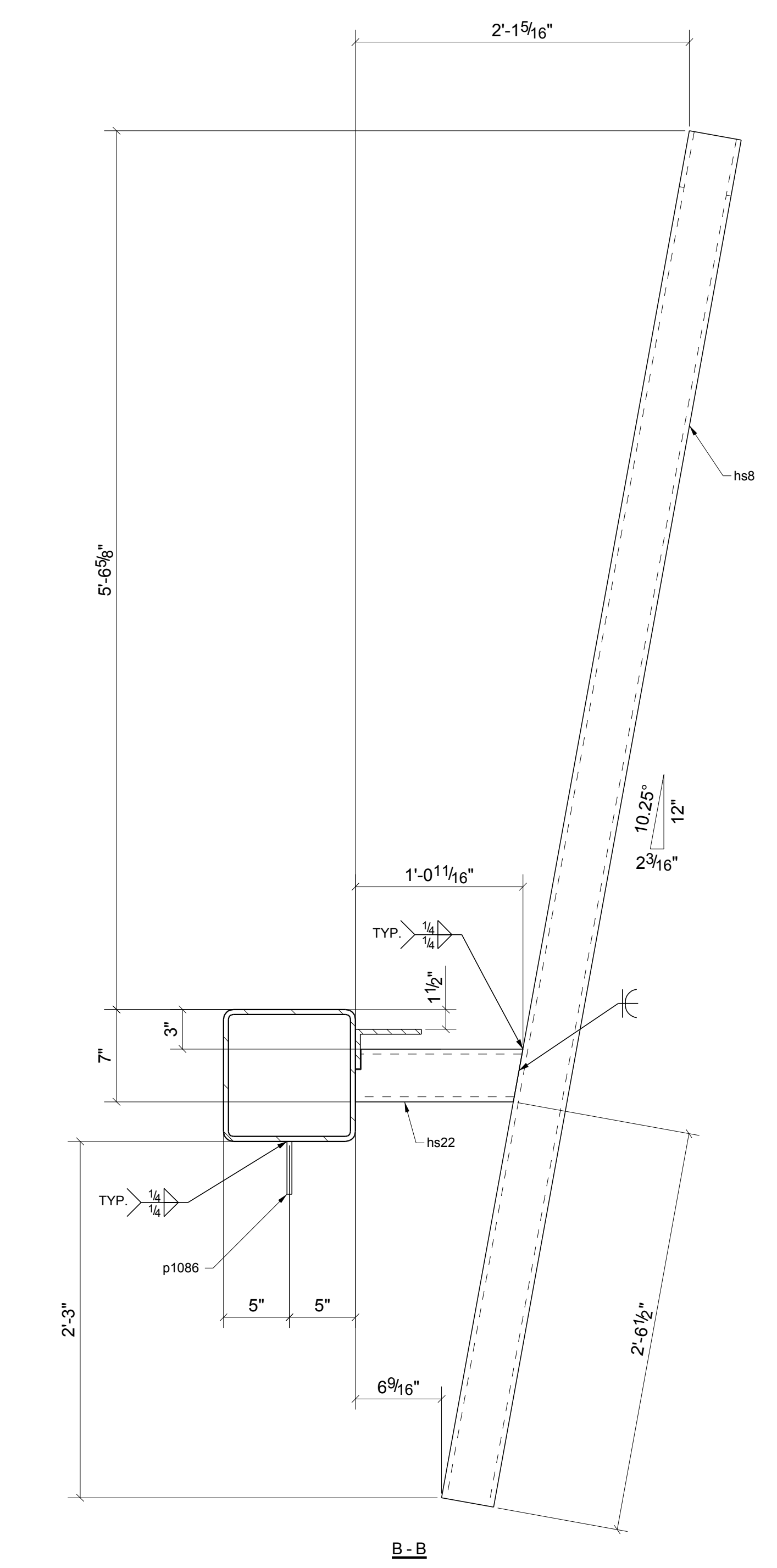
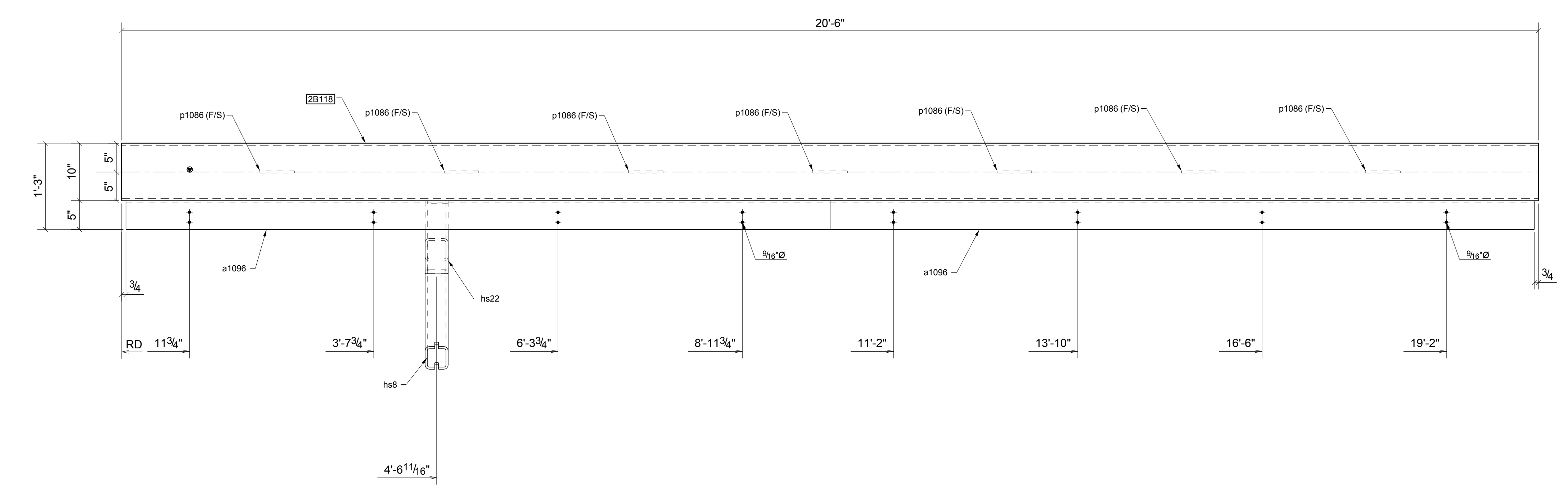


BILL OF MATERIAL						
Qty EA	Qty Tot	Piece Mark	Description	Length	Weight Total	Remarks
1	1	2B118	BEAM			
1	1		HSS10X10X3/8	20'-6"	921	S32 STD PRIMER
2	2	a1096	L5X3X3/8	10'-2 1/4"	198	STD PRIMER
1	1	hs8	HSS4X4X3/8	8'-9 5/16"	143	STD PRIMER
1	1	hs22	HSS4X4X3/8	1'-0 11/16"	17	STD PRIMER
7	7	p1086	PL3/8"X4"	0'-6"	18	STD PRIMER
						Adv Mtl #
						Steel Grade



**STD PRIMER
ONE - BEAM - 2B118**

REF DWGS: MP100 TEKLA STRUCTURES

DWG. ISSUE			REVISIONS	
DATE	PURPOSE	NO.	DATE	DESCRIPTION
03/14/2016	FOR APP	A		
		△		
		△		
		△		
		△		
		△		
		△		
		△		



Per AISC Steel Construction Manual 13th Edition 16.3.3 Commentary. While it is the Fabricator's responsibility to report any discrepancies that are discovered in the Contract Documents, it is not the Fabricator's responsibility to discover discrepancies, including those that are associated with the coordination of the various design disciplines. The quality of the Contract Documents is the responsibility of the entities that produce those documents.

